


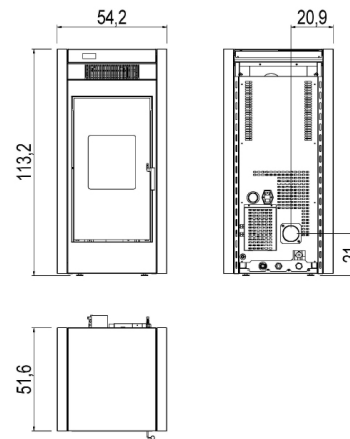


STOVE STRUCTURE CODE 7014010
EAN 8033123614658

STOVE STRUCTURE CODE 7014026 (BAFA)
EAN 8033123615044

STEEL

-  WHITE
6914006
EAN 8033123614818
-  CHROME
6914007
EAN 8033123614825
-  RED
6914005
EAN 8033123614801



EXTRA



Back exhaust



Overheating protection



Connection to the external thermostat



Daily weekly programming



Air temperature sensor



Water temperature sensor



Connection to the heating system

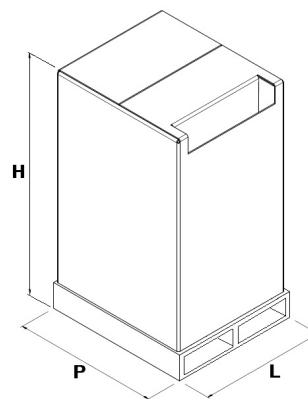


Cast iron burning pot

TECHNICAL DATAS

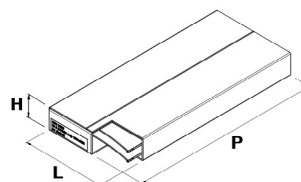
Nominal power	kW	15,4
Reduced power	kW	4,4
Nominal water useful power	kW	13
Reduced water useful power	kW	3
Nominal efficiency	%	92,1
Reduced efficiency	%	95
Heating volume (min-max)	m ³	106 - 370
Nominal CO at 13% O ₂	%	0,011
Reduced CO at 13% O ₂	%	0,04
Nominal dust content at 13% O ₂	mg/Nm ³	18
Boiler capacity (H ₂ O)	l	14
Hopper capacity	kg	29
Combustible		Pellet ø6
Hourly consumption (min-max)	kg/h	0,90 - 3,40
Autonomy (min-max)	h	32,2 - 8,5
Ignition electrical absorption (max)	W	420
Operating electrical absorption (max)	W	120
Supply and frequency	V - Hz	230 - 50
Chimney flue depression	Pa	10
Exhaust diameter	mm	80
Combustion air inlet diameter	mm	50
Mass of smoke (min-max)	g/sec	4,5 - 10,4
Exhaust fumes temperature (max)	°C	145
Net weight	kg	149
Gross weight	kg	159

PACKAGING AND STOCKING



L (cm)	68
H (cm)	133
P (cm)	80

LINING PACKING



LINING	L (cm)	H (cm)	P (cm)
Steel	54,5	12,5	114



Art. 15A B-VG 2015



BlmSchV 2015



Regensburg



München



Stuttgart



Aachen